



GILLESPIES

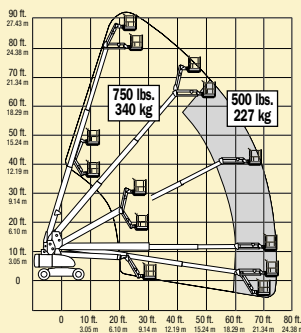
AERIAL ACCESS DIVISION

860SJ 4WD Telescopic Boom Lifts

*Narrow fixed
working width
Dual working
capacity*

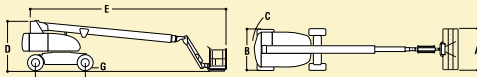


860SJ SERIES



REACH SPECIFICATIONS

Platform Height	86 ft. (26.21 m)
Horizontal Reach	75 ft. (22.86 m)
Swing	360 Degrees Continuous
Platform Capacity - Restricted	750 lbs. (340 kg)
Platform Capacity - Unrestricted	500 lbs. (227 kg)
Platform Rotator	180 Degrees
Jib - (Range of Articulation)	6 ft. (1.83 m) 130 Degrees (+70, -60)



DIMENSIONAL DATA

A. Platform Size	36 x 96 in. (0.91 x 2.44 m)
B. Overall Width	8 ft. 2 in. (2.49 m)
C. Tailswing	4 ft. 8 in. (1.42 m)
D. Stowed Height	10 ft. (3.05 m)
E. Stowed Length	40 ft. (12.19 m)
F. Wheel Base	10 ft. (3.05 m)
G. Ground Clearance	12 in. (30 cm)
Max Ground Bearing Pressure	81 psi (5.69 kg/cm)
Gross Vehicle Weight	17,100kg (approx.)

Tel: 02 9818 1877 Fax: 02 9555 1337

Visit our website www.gillespiecranes.com.au



Our Strength is Service