



GILLESPIES

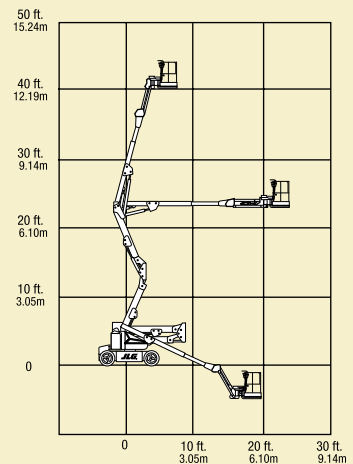
AERIAL ACCESS DIVISION

E400AJP Narrow Articulating Electric Boom Lifts



**Low mount
Platform for
Operator
Convenience**

MODEL E400AJP Narrow

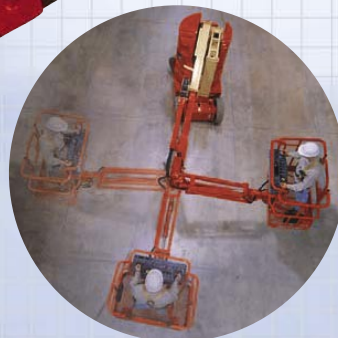


Reach Specifications

Platform Height	40 ft (12.19 m)
Horizontal Outreach	22 ft 5 in. (6.83 m)
Up and Over Height	21 ft 6 in. (6.55 m)
Swing	360 Degrees Non-Continuous
Platform Capacity	500 lb (227 kg)
Platform Rotator	180 Degrees Hydraulic
Jib (range of articulation)	180 Degrees Horizontal 144 Degrees (+84, -60) Vertical
Gross Vehicle Weight	6,759 kg (approx)

Dimensional Data

Platform Size	30 x 48 in. (0.76 x 1.22 m)
Overall Width	4 ft 11 in. (1.5 m)
Tailswing	4 in. (10 cm)
Stowed Height	6 ft 5.75 in. (1.97 m)
Stowed Length	22 ft (6.7 m)
Wheelbase	6 ft 7 in. (2.0 m)
Ground Clearance	5 in. (13 cm)
Ground Bearing Pressure	95 psi (6.7 kg/cm)



**NON MARKING
TYRES**

Tel: 02 9818 1877 Fax: 02 9555 1337

Visit our website www.gillespiecranes.com.au



Our Strength is Service