



GILLESPIES

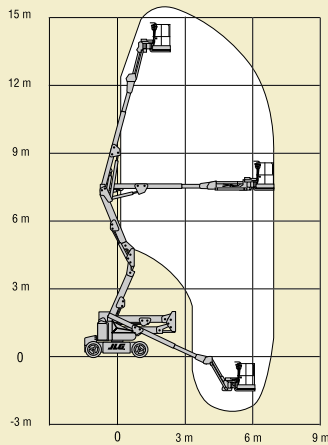
AERIAL ACCESS DIVISION

E450AJ Articulating Electric Boom Lifts

*Low Mount Platform
for Operator
Convenience*



MODEL E450AJ



REACH SPECIFICATIONS

| | |
|-----------------------------|---------------------------------|
| Platform Height | 45 ft (13.72 m) |
| Horizontal Outreach | 23 ft 9 in. (7.24 m) |
| Up and Over Height | 25 ft 3 in. (7.70 m) |
| Swing | 360 Degrees Non-Continuous |
| Platform Capacity | 500 lb (227 kg) |
| Platform Rotator | 180 Degrees Hydraulic |
| Jib (range of articulation) | 141 Degrees (+86, -55) Vertical |

DIMENSIONAL DATA

| | |
|-------------------------|-----------------------------------|
| Platform Size | 30 x 48 in. (0.76 x 1.22 m) |
| Overall Width | 5 ft 9 in. (1.75 m) |
| Tailswing | Zero |
| Stowed Height | 6 ft 7 in. (2.01 m) |
| Stowed Length | 21 ft 2 in. (6.45 m) |
| Wheelbase | 6 ft 7 in. (2.01 m) |
| Ground Clearance | 8.5 in. (22 cm) |
| Weight | 14,400 lb (6,532 kg) |
| Ground Bearing Pressure | 110 psi (7.7 kg/cm ²) |

**NON MARKING
TYRES AVAILABLE**

Tel: 02 9818 1877 Fax: 02 9555 1337

Visit our website www.gillespiecranes.com.au



Our Strength is Service