



GILLESPIES

CRANE SERVICES

Featuring



Computerised Lift Plan Simulation

RATED CAPACITY

- 130 Tonnes at 3m radius
- 1 Tonnes at 70m
- 60m Main Boom
- 33m Hydraulic Luffing Fly
- Hook Height to 95m
- All Wheel Steer - 6WD

OUTRIGGER BASE

- Full: 8.1 x 7.5m
- Half: 8.1 x 5m

OVERALL DIMENSIONS

- Width 2.750 metres
- Length 14.825 metres
- Height 4.000 metres

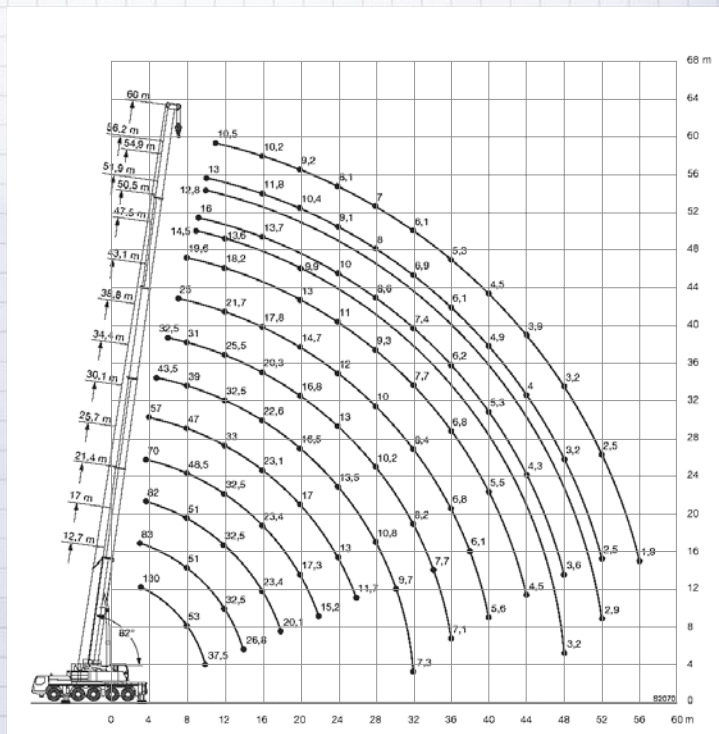
This mobile crane is ideal for safe manouverability on difficult and rugged sites that require extra reach

LTM1130-5.1

All Terrain Mobile Crane Hydraulic Luffing Fly

Max. Lifting Capacity: **130.0 metric tonne at 3m**

Max boom Length: **92m**



Tel: 02 888 77888 Fax: 02 888 77877

Visit our website www.gillespiecranes.com.au

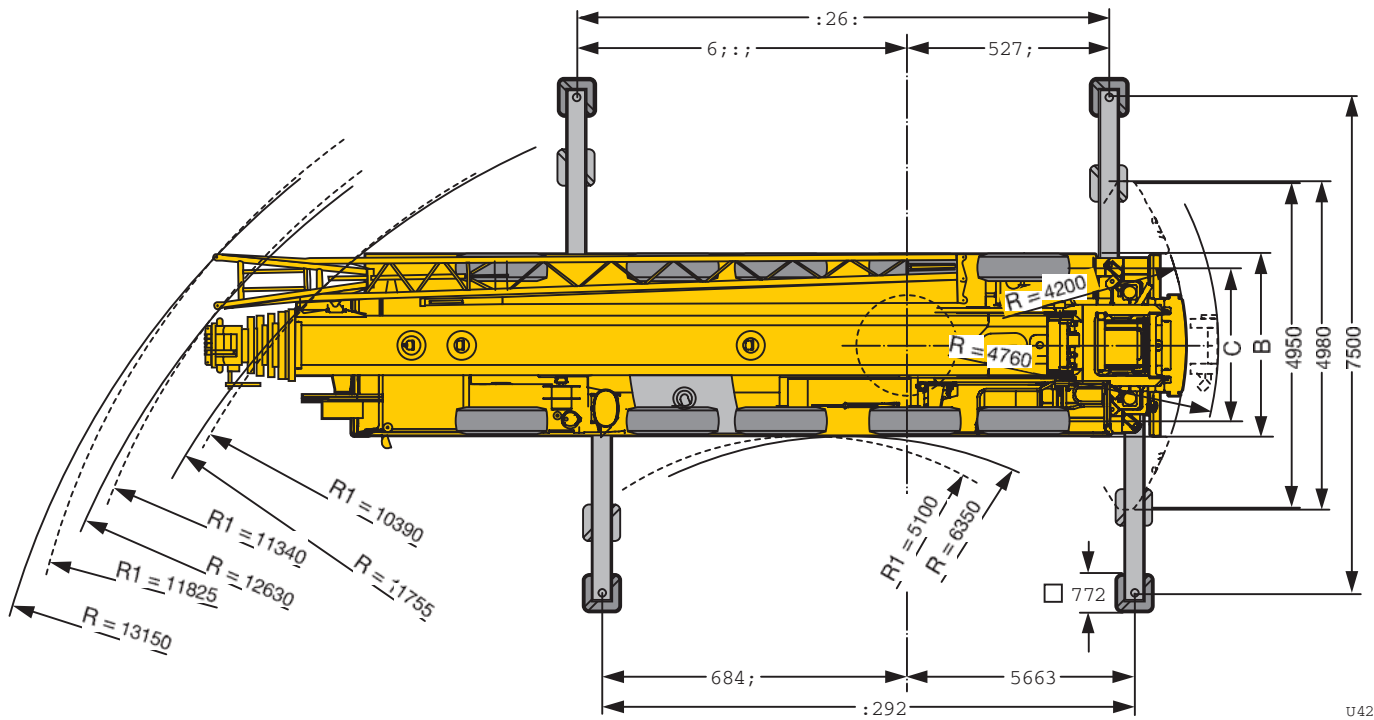
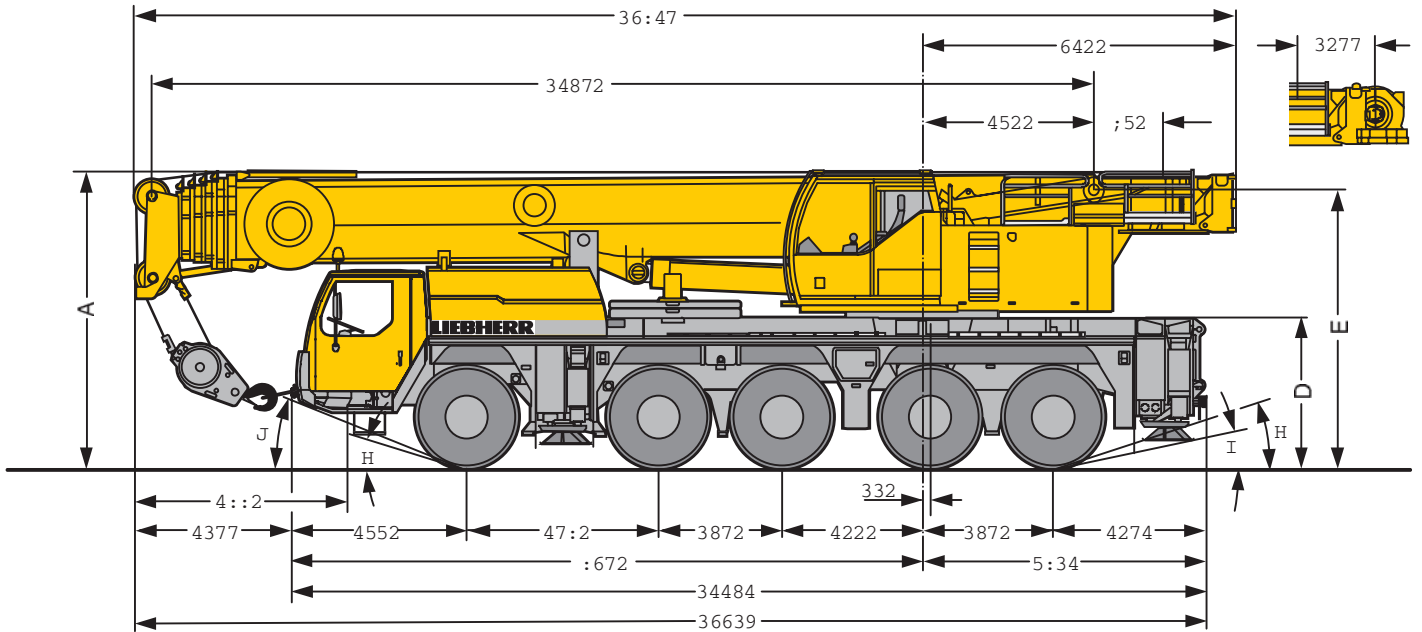
Our Strength is Service

Ο σέγ

Εκδοχές

Γραφείο πωλήσεων "Εκδοχές"

Εκδοχές "Εκδοχές" ή "Εκδοχές"



U428;

Π₃ = Allradlenkung · All-wheel steering · Direction toutes roues · Tutti gli assi sterzanti · Dirección en todos los ejes

Σύμβολο	C	C 322	D	E	F	G	H	I	J
36Q2 "T" 47	5;72	5:72	4972	4535	4222	5924	42.	34.	46.
38Q2 "T" 47	6222	5;22	4972	4523	4272	5974	44.	36.	48.
42Q "T" 47	6222	5;22	4:72	4545	4272	5974	44.	36.	48.

Προσοχή: Τα στοιχεία που αναφέρονται είναι ενδεικτικά και μπορεί να αλλάξουν χωρίς προειδοποίηση.